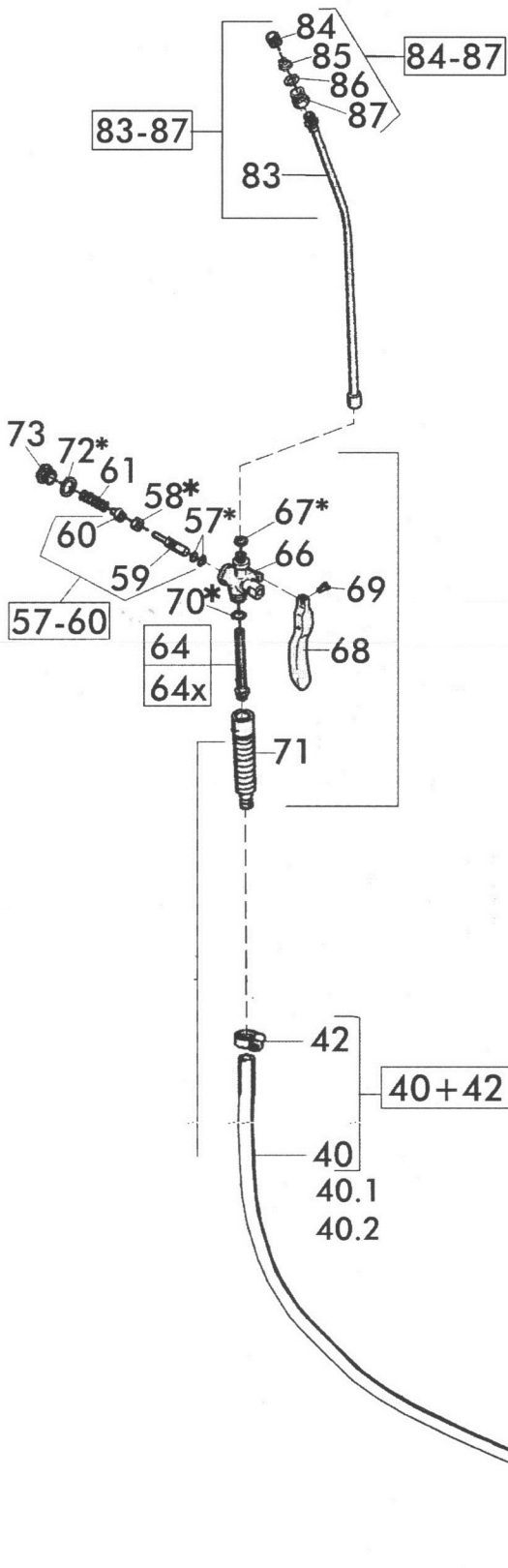
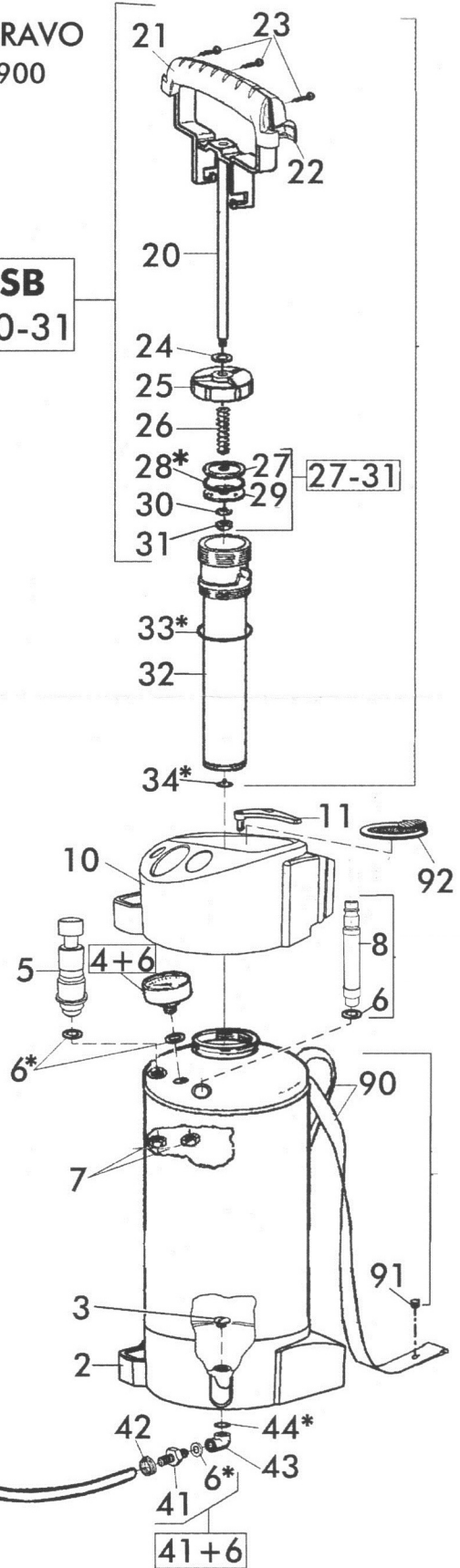


510TK Profiline BRAVO

Art.Nr. 000512.6900



SB
20-31



510TK Profiline BRAVO

POS.N°	PART-N°	
2	540 456.0000	Bottom ring 10L
3	540 458.0000	Connecting screw
4+6	704 210.0000	Pressure gauge cpl. incl. Pos.6
5	727 767.0000	Safety valve cpl. oil resistant
6	618 170.0000	Seal 15x10x3
7	604 500.0000	Hex.hd. Nut
8+6	728 081.0001	Compressor connection assy.
10	540 455.0000	Filling funnel 10L,RAL9005
11	540 457.0000	Cover RAL9005
20-31	728 057.0000	SB Pump rod cpl.
20-34	728 058.0000	SB High performance pump cpl.
24	611 170.0000	Seal
27-31	727 330.0000	Piston plate cpl.
28	509 780.0000	O-Ring 28,15 x 3,5 VITON
34	540 240.0000	Valve membrane <i>oil resistant</i>
40-42 +6,71	728 015.0000	Grip with hose cpl., oil resistant
40+42	706 950.0000	SB Hose (1,40) m <i>oil resistant</i>
40	503 690.0000	Hose 1,40m
40.1	525 250.0000	Hose 2,00m
40.2	533 360.0000	Hose 3,00m
41+6	726 187.0000	Hose coupling incl. Pos.6
42	726 185.0000	Hose clamp
43	538 682.0000	Connecting angle
44	130 300.0000	O-Ring 14x2 VITON
57-60	711 790.0000	Valve bolt cpl.
57-73	728 205.0000	Trigger control valve cpl.
64	613 320.0000	Filter sieve 0,8 mm
64x	724 460.0000	Filter sieve 0,425 mm
83-87	718 190.0001	Lance cpl. incl. nozzle
84-87	728 204.0000	Special flat jet nozzle
90+91	727 929.0000	Carrying strap set
91	603 060.0000	Button of carrying strap
92	727 993.0000	Sieve RAL9005
100	728 206.0000	Seal set for compression sprayers