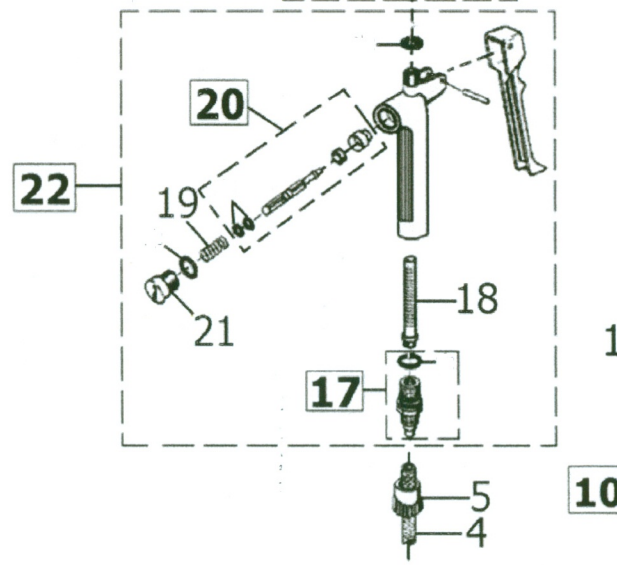
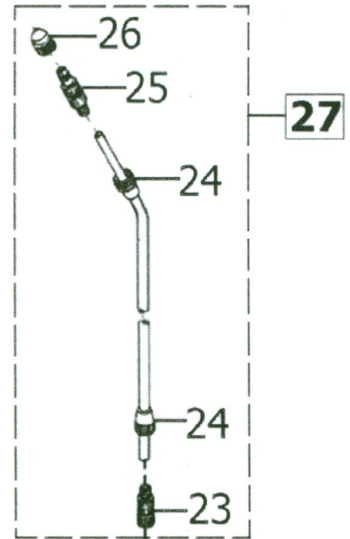
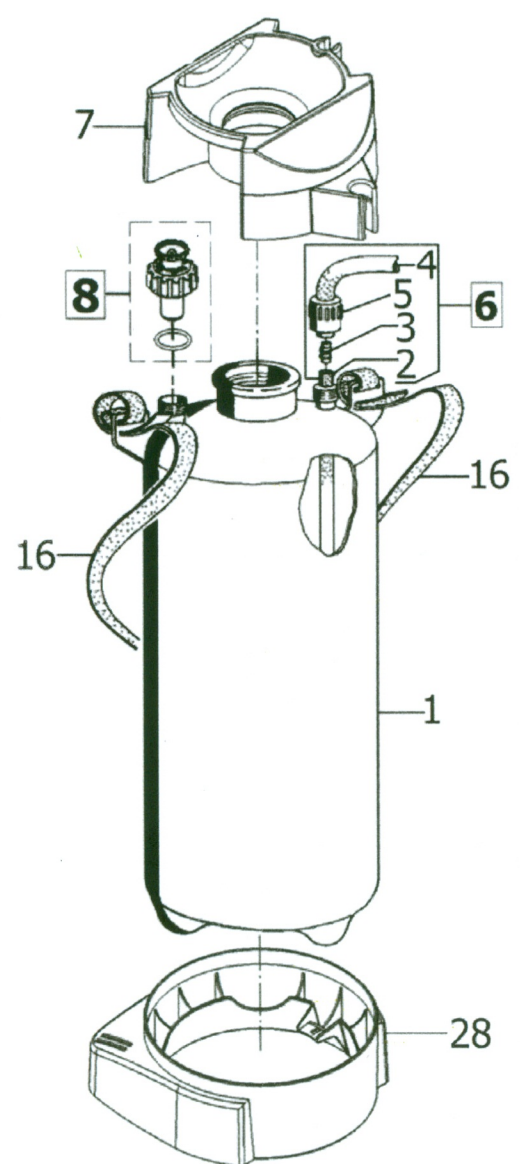
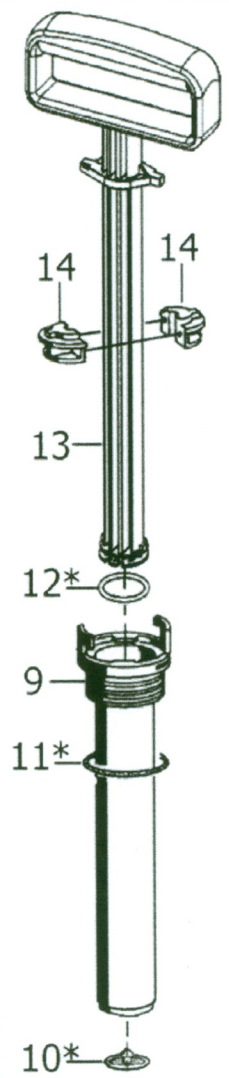


15



* Pump's Seals Kit
02 03.MS.NR

2/2

2011

Rev112405

PRO 8**GLORIA®**

Geräte für Haus und Garten

Art.-Nr. 000092.0035

Bild Nr. REF.N° POS.N°	BEST.-NR. PART-NO. NO d. PIECE	DESCRIPTION	Anzahl Qty. Qte.
2	715450.0000	RISER DUCT CPL.	1
4	532550.0000	Hose (1,20m) Ø12mm	1
5	521400.0000	Hose terminal nut for hose Ø12mm	2
6	726807.0000	FLEXIBLE HOSE LINE CPL. oilproof	1
7	540521.0000	Filling funnel	1
8	726360.0000	Pressure release valve, oil resistant	1
9	540383.0000	PUMP HOUSING, black	1
10	540240.0000	Valve membran	1
11	503460.0000	O-ring 38 x 5	1
12	540415.0000	O-Ring 26x3FPM 70C5	1
13	727326.0000	Pump rod, schwarz	1
14	540384.0000	Guide basin, black	2
15	728490.0000	Pump cpl., black, oil resistant	1
16	520260.0000	CARRYING STRAP	1
17	726818.0000	HOSE COUPLING TULLES CPL.(oilresistant)	1
18	513340.0000	Sieve für Haus und Garten	1
19	612071.0000	VALVE SPRING	1
20	728318.0000	VALVE BOLT CPL.	1
21	536900.0000	LOCKING SCREW	1
22	727012.0000	Trigger control valve cpl.	1
23	539359.0000	JOINING PIECE	1
24	539358.0000	COUPLING NUT	2
25	539361.0000	TURN BODY	1
26	726996.0000	NOZZLE CAP	1
27	727011.0000	Lance cpl. with nozzle	1
28	540530.0000	Base ring 8L black	1